

JETTA ORDER FORM WALK-IN BATHS

Special Instructions:

CUSTOMER INFORMATION

Account Name: _____

Your Name: _____ Phone: _____

P.O. #: _____

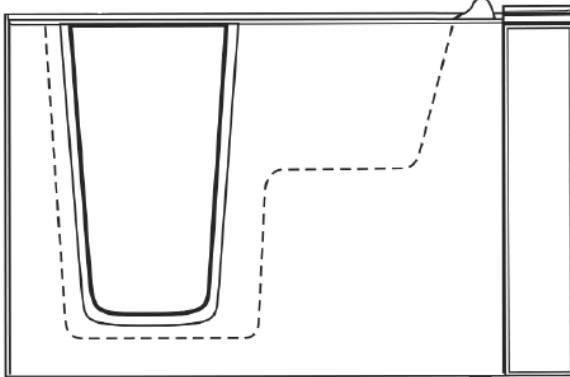
Order Date: _____ Email Address: _____

ENTRY DOOR LOCATIONS ARE SHOWN BELOW

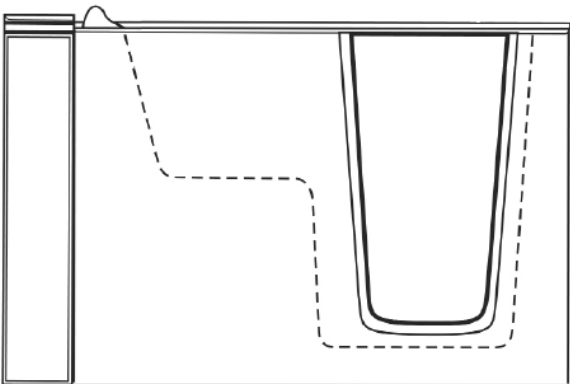
Please check the tub model number and door configuration of the tub you wish to order.

- **J-80 Biltmore - 53 x 26 x 36**
- **J-80D ActiveDrain**
- **J-90 Broadmoor - 51 x 30 x 40**
- **J-90D ActiveDrain**
- **J-95 Belmont - 52 x 32 x 40**
- **J-95D ActiveDrain**

Whirlpool jets are color matched to tub color unless specified as an upgrade.



Left Hand Door Configuration



Right Hand Door Configuration

OPTIONS / ADD-ONS

Please Select Option

Hydrotherapy:

- Combo Whirlpool
 Air Soaker

Door Configuration:

- Left Side Right Side

Optional Upgrades/Add-Ons:

Polished Chrome Trim Kit Upgrade:

Pump Upgrade: Mood Light
1.5 to 2.0

Neck Rest Pillow LED Light

Roll-up Gel Pillow Aromatherapy

In-line Heater U Grab Bar

Thermostatic Faucet Kit Contoured Gel Seat Cushion

JettaWARM - heated backrest Additional Jets*

**Please note location(s) on tub drawing*

PLEASE NOTE:

Tub drawings are for reference only. Options and specifications are subject to change without notice.

TO PLACE AN ORDER EMAIL THIS FORM SALES@JETTACORP.COM